

Excimerlaser

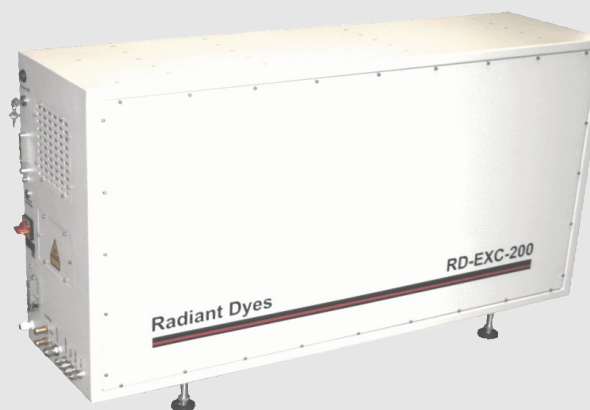


RD-EXC-5

RD-EXC-20

RD-EXC-200

RD-EXC-300



Our Excimer laser are small sized and low priced standard laser with metal oxide ceramic discharge chamber, integrated power supply and corona pre-ionization. Solid nickel electrodes are used near the gas discharge where the halogens are most reactive. This provides a longer component lifetime and a better long-term beam uniformity. The laser are equipped with an internal electrostatic window protection system to increase the gas lifetime and the window cleaning intervals. In combination with our dye lasers this laser opens a variety of applications in the field of spectroscopy and non-linear optics where medium pulse energies and powers at repetition rates of up to 200 Hz are needed

Radiant Dyes Laser & Accessories GmbH

Friedrichstr. 58, D-42929 Wermelskirchen

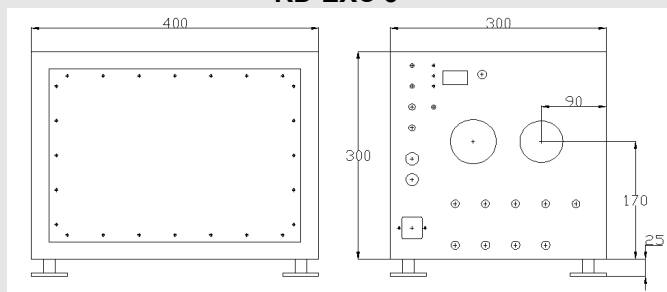
☎ +49 (0)2196-81061 + 92685, Fax +49 (0)2196-3422

<http://www.radiant-dyes.com> / e-mail: info@radiant-dyes.com

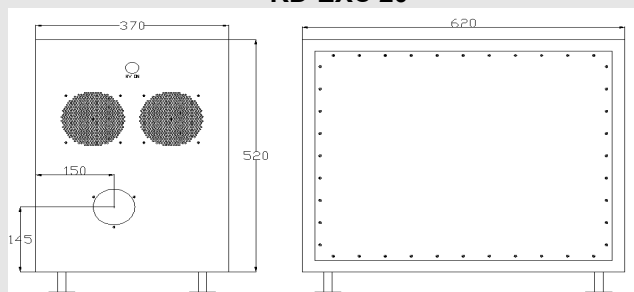
Radiant Dyes Laser & Accessories GmbH

	Wavelength [nm]	RD-EXC 5	RD-EXC 20	RD-EXC 200	RD-EXC 300
Pulse Energy [mJ]	157	0.5	6	-	-
	193	3.5	30	200	400
	248	5.5	50	300	700
	308	3	35	220	400
	351	2	30	160	300
Max. Rep. Rate [Hz]		100	100 (200)	25 (100)	10 (25)
Pulse Duration [ns]		2 - 5	10 - 15	15 - 30	20 - 35
Pulse to Pulse Stability [%]		2 - 3	2 - 3	2 - 5	2 - 5
Beam Dimension [mm]		2 x 2	3 - 6 x 8 - 12	10 x 25	10 x 25
Dimensions (L X W X H) [mm]		400 x 280 x 300	620 x 370 x 520	1260 x 350 x 700	1700 x 350 x 700
Weight [kg]		~ 20	~ 60	~ 200	~ 300
Power required [V / Hz]		230 / 50	230 / 50	380 / 50	380 / 50
Power consumption [kW]		0.6	1.5	4.2	4.5
Water Cooling [l / min]		-	2 - 3	5 - 8	5 - 8

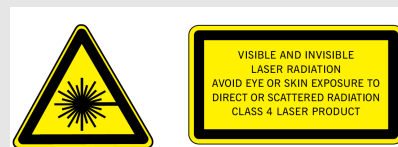
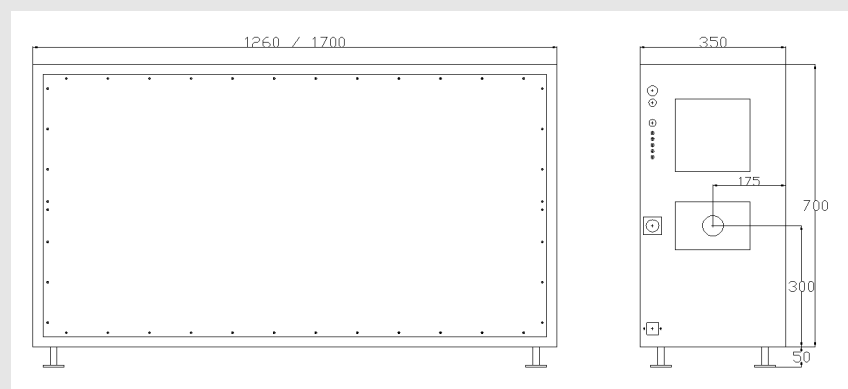
RD-EXC 5



RD-EXC 20



RD-EXC 200 / 300



Specifications are subject to change without notice

Radiant Dyes Laser & Accessories GmbH

Friedrichstr. 58, D-42929 Wermelskirchen

+49 (0)2196-81061 + 92685, Fax +49 (0)2196-3422

<http://www.radiant-dyes.com> / e-mail: info@radiant-dyes.com